



**miroir** HD PROJECTOR MP150A



# CONTENTS

Caution.....	2
Warning!.....	5
FCC Information.....	6
Location of Parts and Controls .....	8
Specifications .....	10
Projector Compatibility.....	11
Cables and Adapters Included In the Box.....	11
Apple® Devices.....	12
Other Devices.....	13
Charging the Battery .....	14
Operating the Projector .....	15
Setup.....	15
Powering Up and Viewing Media .....	17
Image Adjustments .....	18
Charging with the Projector .....	20
Troubleshooting.....	21
One (1) Year Limited Warranty .....	23

## CAUTION

- TO REDUCE THE RISK OF ELECTRIC SHOCK, DO NOT REMOVE COVER. THERE ARE NO SERVICEABLE PARTS INSIDE
- TO REDUCE THE RISK OF FIRE OR ELECTRIC SHOCK, DO NOT EXPOSE THIS UNIT TO RAIN OR MOISTURE.



The lightning flash with arrow-head symbol within an equilateral triangle is intended to alert the user to the presence of uninsulated “dangerous voltage” within the unit’s enclosure that may be of sufficient magnitude to constitute a risk of electric shock



The exclamation point within an equilateral triangle is intended to alert the user to the presence of important operating and maintenance (servicing) instructions in the literature accompanying the unit.

## IMPORTANT SAFETY INSTRUCTIONS

All of the safety and operating instructions should be read, adhered to and followed before the unit is operated.

**SAVE THESE INSTRUCTIONS!**

## **DANGER**

To reduce the risk of electric shock, burns, fire or injury:

1. Do not use while bathing or in a shower.
2. Do not place or store unit where it can fall or be pulled into a tub or sink.
3. Do not place in, drop or submerge in water or other liquid.
4. Do not reach for unit that has fallen into water. Unplug it immediately.
5. Care should be taken so that objects do not fall and liquids are not spilled onto the unit.

## **WARNING**

1. Close supervision is necessary when this appliance/product is used by or near children or mentally disabled individuals.
2. Use this unit only for its intended use as described in this manual.
3. Unplug this unit during lightning storms or when unused for long periods of time.
4. Never drop or insert an object into any opening.
5. Protect the adapter cord from being walked on or pinched, particularly at plug outlets, convenience receptacles and the point where it exits the unit.
6. Do not allow adapter cord to touch hot surfaces. Wrap cord loosely

around the unit when storing.

7. The unit should be situated away from direct sunlight or heat sources such as radiators, electric heaters, heat registers, stoves, or other units (including amplifiers) that produce heat. Avoid placing on top of stereo equipment that radiates heat.
8. Never block the air openings of the unit with materials such as clothing, plastic bags or papers, or place it on a soft surface such as a bed or couch, where the air openings may be blocked.
9. Do not overload electrical outlet. Use only the power source as indicated.
10. Do not carry this unit by cord or use cord as handle.
11. Never operate this unit if it has a damaged cord or plug, if it is not working properly, or if it has been dropped or damaged, or dropped into water. If the unit's power supply cord or plug is damaged, do not attempt to fix it yourself.
12. To avoid the risk of electric shock, do not disassemble or attempt to repair the unit. Incorrect repair can cause risk of electric shock or injury to persons when unit is used.
13. Do not operate in the presence of explosive and/or flammable fumes.
14. Never remove the plug from the socket by pulling the power cord.

# **WARNING!**

## **THIS PRODUCT CONTAINS A RECHARGEABLE BATTERY**

- Do not store this product in high temperatures, damp areas, or in direct sunlight.
- Never disassemble the product.
- Never dispose of the product in fire or water, which may result in explosion and/or injury.
- Keep product out of reach of children.
- Do not touch product with damp hands.
- Dispose of the product properly.
- The product must not be discarded with ordinary household waste.
- Contact your local recycling center for proper disposal.

## FCC INFORMATION

This device complies with Part 15 of the FCC Rules. Operation is subject to the following two conditions:

- 1) This device may not cause harmful interference.
- 2) This device must accept any interference received including interference that may cause undesired operation.

**WARNING:** Changes or modifications to this unit not expressly approved by the party responsible for compliance could void the user's authority to operate the equipment. Note: This equipment has been tested and found to comply with the limits for a Class B digital device, pursuant to Part 15 of the FCC Rules. These limits are designed to provide reasonable protection against harmful interference in a residential installation. This unit generates, uses, and can radiate radio frequency energy and if not installed and used in accordance with the instructions, may cause harmful interference to radio communications. However, there is no guarantee that interference will



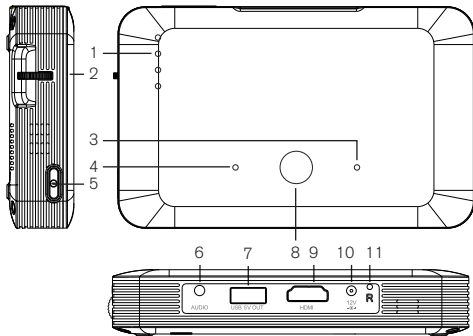
not occur in a particular installation. If this equipment does cause harmful interference to radio or television reception, which can be determined by turning the equipment off and on, the user is encouraged to try and correct the interference by one or more of the following measures:

- Reorient or relocate the receiving antenna.
- Increase the separation between the equipment and receiver.
- Connect the equipment to an outlet on a circuit different from that to which the receiver is connected.
- Consult the dealer or an experienced radio/TV technician for help.

Shielded cables must be used with this unit to ensure compliance with the Class B FCC limits.

# LOCATION OF PARTS AND CONTROLS

1. Battery indicator lights
2. Focus wheel
3. Volume up control
4. Volume down control
5. Power button
6. 3.5mm Audio out
7. USB out (5V/1A)
8. Mode control
9. HDMI Input
10. DC input (12V/2A)
11. Reset Button

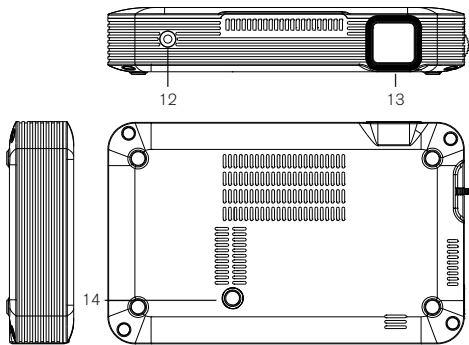


# LOCATION OF PARTS AND CONTROLS

12. Ambient light sensor

13. Lens

14. Tripod Dock



## SPECIFICATIONS

Product Dimensions	3.2" x 5.2" x 1"
Brightness	200 Lumens*
Lamp Life	LED lamp with up to 20,000 hours
Image Size	Up to 100"
Distance	2ft to 10ft
Throw Ratio	1.66
Contrast Ratio	400:1*
Native Resolution	1280 x 720 (720p)
Aspect Ratio	16:9
Built-in Speaker	2 1-watt speakers
Power	DC 12V/2A
Auto Keystone	+/- 40 degrees vertical keystone correction
Battery	Li-polymer, 6,000 mAh

\*TI's DLP® IntelliBright™ technology dynamically adjusts the projector brightness range for each individual pixel based on image content and the ambient room light level.

## PROJECTOR COMPATIBILITY

---

- ◆ Included in the box
- ◇ Purchase separately



This symbol highlights devices that have the ability to mirror the on screen content from your device with the projector. Devices that do not support mirroring can still project utilizing applications that support video out. For example: Netflix™, Hulu®, and YouTube™ video services.

---

## CABLES AND ADAPTERS INCLUDED IN THE BOX

---



AC Adapter



HDMI® to HDMI Cable



Micro HDMI Adapter

---

---

## APPLE® DEVICES

---



iPhone® 6 Plus  
iPhone 6  
iPhone 5s  
iPhone 5c  
iPhone 5  
iPod touch® 5  
iPod touch 4  
iPad Air  
iPad® Mini  
iPad 4



◇ Lightning™ Digital AV Adapter  
◆ HDMI to HDMI Cable



iPhone 4s  
iPad 3  
iPad 2



◇ 30-Pin Digital AV Adapter  
◆ HDMI to HDMI Cable

iPhone 4  
iPod touch 3



MacBook Pro<sup>®</sup>  
with Retina display  
Mac Mini  
Mac Pro  
Apple TV



◆ HDMI to HDMI Cable



MacBook Air<sup>®</sup>  
MacBook Pro  
iMac<sup>®</sup>



◇ Mini DisplayPort to HDMI Adapter  
◆ HDMI to HDMI Cable

## OTHER DEVICES



GoPro



◆ Micro HDMI Adapter  
◆ HDMI to HDMI Cable

## CHARGING THE BATTERY

1. The built-in battery is charged using the included AC adapter.

**IMPORTANT:** Fully charge the battery before first use (approx. 4-5 hours).

2. The battery has 4 battery charge indicator lights. The lights will flash in turn as the device charges. The battery is fully charged when all 4 lights are lit and no longer flash.

3. Check the battery life by briefly pushing the power button. The indicator lights will illuminate indicating the amount of battery remaining (for example, if 3 lights illuminate, there is approximately 75% of the battery life remaining).



# OPERATING THE PROJECTOR

## SETUP

1. The projector can be powered using the included AC adapter or the built-in battery.
  - To power the projector with AC power, connect the AC adapter to the projector's DC input and plug the other end into an outlet. Once connected, the battery indicator lights will illuminate on the projector showing the amount of battery power remaining.
  - To power the projector with the built-in battery, simply turn the projector on. To check the remaining battery life of the projector press the power button briefly.

**IMPORTANT:** Fully charge the battery before first use (approx. 4-5 hours).

2. Connect the included HDMI cable to the HDMI port on the projector and the other end to your device.

**NOTE:** Some devices may require an adapter to connect to your device. To determine what type of adapter you need to use, please reference the Compatibility section of this manual, or our website at [www.miroirusa.com](http://www.miroirusa.com).

3. If desired, connect a speaker to the 3.5mm audio out jack. If no external speaker is connected, the projector's 2 internal 1-watt speakers will be used for audio.

## POWERING UP AND VIEWING MEDIA

**IMPORTANT:** Before you power on the projector, please be sure to check that there is nothing blocking the ambient light sensor on the front of the projector (the location of this sensor can be seen in Locations and Parts diagram on page 9). Blocking this sensor may impact the IntelliBright adjustments the projector makes which optimizes the projected image.

1. Power on the projector by pressing and holding the power button for 3 seconds.
2. Allow the projector 15 to 30 seconds to fully start up and make image adjustments.
  - When initially turned on, you will see the Miroir startup screen. Following that screen, the screen may flicker briefly as DLP IntelliBright technology built into the projector makes adjustments according to the ambient light in your environment.

**NOTE:** After syncing with the projector you may see your device's screen

being mirrored by the projector. Some devices may not have this ability, but they can still be used with the projector to project videos, photo slide shows, and some app content (this functionality is app dependent).

3. Choose the media you would like to view from the menu on your device and play as you normally would.

## **IMAGE ADJUSTMENTS**

### **ADJUSTING THE FOCUS**

Simply roll the focus wheel control forwards and backwards to fine-tune the projected image.

### **ADJUSTING THE VERTICAL KEYSTONE**

Press the mode selection key and the projector will automatically adjust the display screen to the best condition (+/- 40 degrees automatic vertical keystone correction).

## ADJUSTING THE VOLUME

Touch the mode control area to activate the volume controls. Use the volume up and volume down control areas to adjust to the preferred volume level.

## ADJUSTING INTELLIBRIGHT

**WHAT IS INTELLIBRIGHT?** TI's DLP® IntelliBright™ technology dynamically adjusts the projector brightness range for each individual pixel based on image content and the ambient room light level.

When the projector starts up, it defaults to normal IntelliBright mode which optimizes the projected image settings for the room environment. If you wish to increase the IntelliBright adjustment, press the mode key twice on the projector to switch to vivid mode.

## **CHARGING WITH THE PROJECTOR**

The projector has one USB out jack which can be utilized to charge a variety of smart phones.

- Connect your device to the fully-charged projector with a USB cable (not included).
- Your device's screen will let you know your device is charging and when it's fully charged.

## TROUBLESHOOTING

**Q. The projected image is blurry.**

- A. Adjust the focus wheel on the projector to fine-tune the picture. Also check that the surface you are projecting on is smooth.

**Q. The projector is not projecting.**

- A. Here are several things to check if your MP150A is not projecting:
- If on battery power, check the battery life remaining by pressing the power button. If battery power is low, plug into AC power.
  - If on AC power, check that the AC power is plugged into the correct port on the projector and the AC adapter is securely into a powered outlet.

- Check the compatibility section of this manual to ensure you are using any necessary adapters with your device. If an adapter is required, power down the projector, add the adapter, and then turn the projector back on.

**NOTE:** Also reference the compatibility section of this manual to verify that your device has the ability to mirror. If your device does not have the ability to mirror with the projector, you must launch an app with video out support, play a slide show on your device, or play a video on your device to see a projected image.

**VISIT [WWW.MIROIRUSA.COM](http://WWW.MIROIRUSA.COM) FOR ADDITIONAL FAQs AND SUPPORT**



## **ONE (1) YEAR LIMITED WARRANTY**

Miroir (“Miroir”) warrants to you, the original retail purchaser (“Consumer”), that this product (“Product”) will under normal use operate substantially in accordance with the accompanying documentation for a period of one (1) year from date of original purchase. Consumer’s sole and exclusive remedy, and Miroir’s sole and exclusive responsibility under this warranty will be, at Miroir’s option, either to repair or replace the defective Product during the one (1) year limited warranty period so that it performs substantially in accordance with the accompanying documentation on the date of your initial purchase.

The forgoing warranty is limited and is not applicable to: (i) normal wear and tear; (ii) defects or damage caused by misuse, accident (including without limitation collision, fire and the spillage of food or liquid), neglect, abuse, alteration, unusual stress, modification, improper or unauthorized repair, installation, wiring, or testing, improper storage, use in an unapproved device or if the serial number has been removed; (iii) use not in accordance with the documentation; and (iv) damage caused by the equipment with which the Product is used.

To obtain warranty service for any Product that is subject to the foregoing warranty, Consumer must contact Miroir, provide proof of purchase and a description of the issue. Consumer shall bear the cost of returning the Product for repair or replacement under this limited warranty. Any Product returned without proof of purchase will not be honored under this limited warranty.

The limited warranty extends only to Consumer and is not assignable or transferable to any subsequent purchaser or user. THE LIMITED WARRANTY SET FORTH ABOVE IS PROVIDED IN LIEU OF ALL OTHER WARRANTIES AND MIROIR HEREBY DISCLAIMS ALL OTHER WARRANTIES OF ANY KIND, WHETHER EXPRESS, IMPLIED, STATUTORY OR OTHERWISE, INCLUDING WITHOUT LIMITATION ANY WARRANTIES OF MERCHANTABILITY, FITNESS FOR A PARTICULAR USE OR PURPOSE, NON-INFRINGEMENT, QUALITY AND TITLE. MIROIR DOES NOT WARRANT THAT THE PRODUCT IS ERROR FREE OR THAT IT WILL FUNCTION WITHOUT INTERRUPTION.

To the extent Miroir may not, as a matter of applicable law, disclaim certain implied warranties, the duration of any such implied warranty shall be limited to the shorter of the one (1) year limited warranty period or the minimum time period permitted under such law. Some states do not allow limitations on the duration of implied warranties, so the above limitation may not apply to you. This limited warranty gives you specific legal rights, and you may also have other rights that vary from state to state.

IN NO EVENT WILL MIROIR BE LIABLE FOR ANY SPECIAL, INDIRECT, INCIDENTAL, PUNITIVE OR CONSEQUENTIAL DAMAGES OF ANY NATURE WHATSOEVER INCLUDING BUT NOT LIMITED TO LOSS OF PROFITS OR REVENUES, LOSS OF DATA, LOSS OF USE OF THE PRODUCT OR ANY ASSOCIATED EQUIPMENT, COST OF ANY REPLACEMENT GOODS OR SUBSTITUTE EQUIPMENT, LOSS OF USE, CLAIMS OF ANY THIRD PARTIES,

OR ANY OTHER DAMAGES ARISING FROM MIROIR'S BREACH OF THIS LIMITED WARRANTY OR THE USE OF THE PRODUCT, REGARDLESS OF THE FORM OF ACTION WHETHER IN CONTRACT, TORT (INCLUDING NEGLIGENCE) OR ANY OTHER LEGAL OR EQUITABLE THEORY, EVEN IF MIROIR HAS BEEN ADVISED OF THE POSSIBILITY OF SUCH DAMAGES. IN NO EVENT WILL MIROIR'S TOTAL CUMULATIVE LIABILITY EXCEED THE PRICE PAID BY CONSUMER FOR THE PRODUCT.

Some states do not allow the exclusion or limitation of incidental or consequential damages, so the above limitation or exclusion may not apply to you. If you have any questions concerning this statement of limited warranty please email Miroir at [info@miroirusa.com](mailto:info@miroirusa.com) for any more questions.

© 2015 Miroir USA. All rights reserved. Miroir and the Miroir logo are owned by Miroir USA, LLC. All other trademarks are the property of their respective owners. Miroir USA, LLC assumes no responsibility for any errors that may appear in this manual. Information contained herein is subject to change without notice.

Miroir USA, LLC • Minneapolis, MN • [www.miroirusa.com](http://www.miroirusa.com) • [info@miroirusa.com](mailto:info@miroirusa.com)